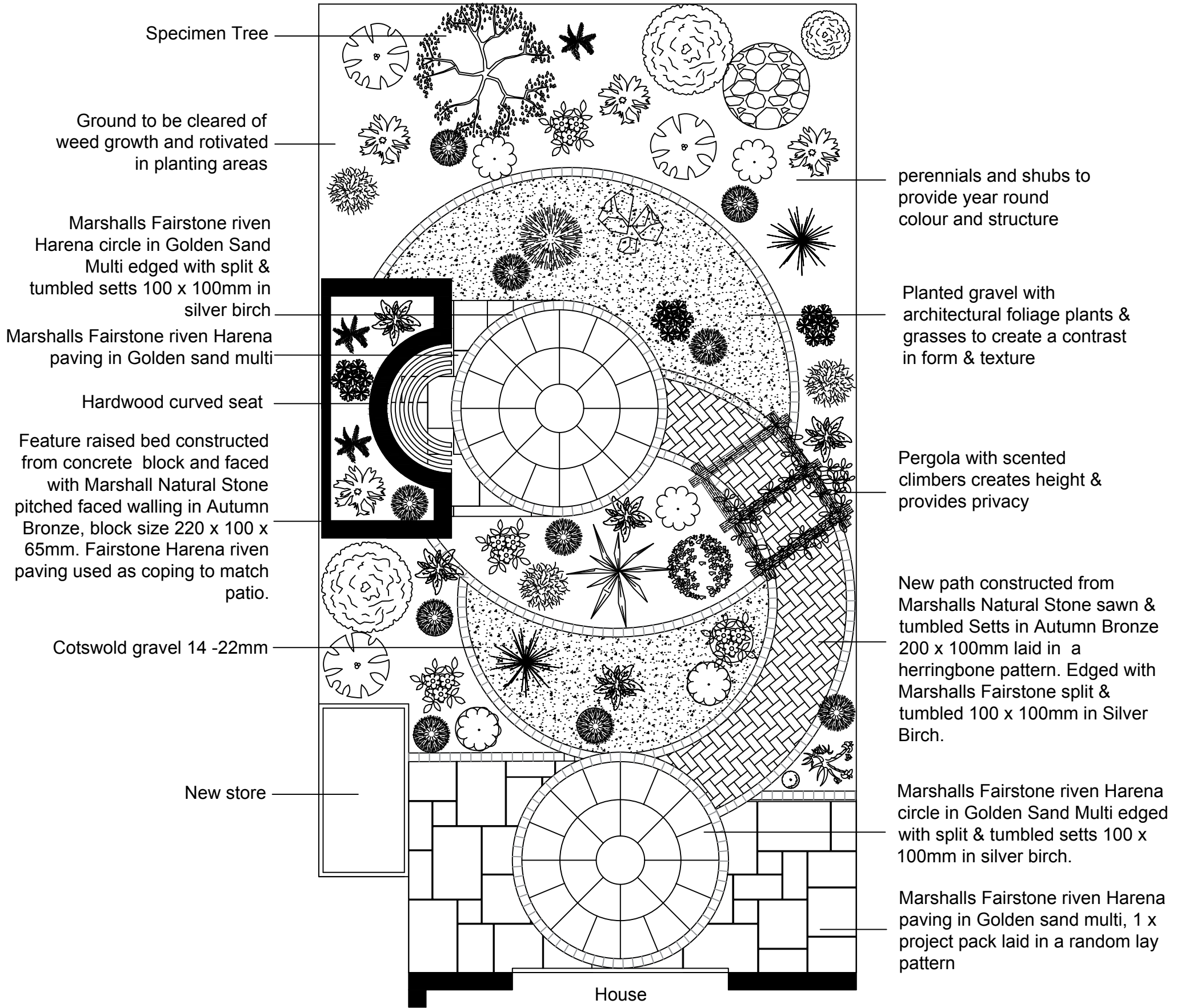


# EXAMPLE RESIDENTIAL MASTER PLAN



## CONSTRUCTION DETAILS

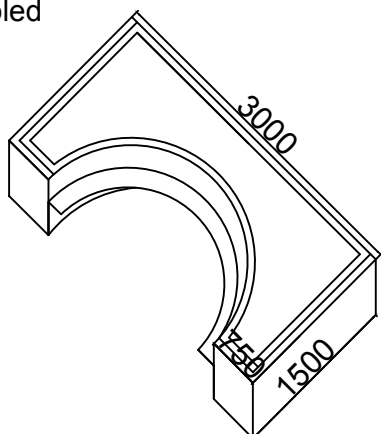
Raised Bed to be constructed from concrete block and faced with Marshalls Fairstone tumbled faced walling in Autumn Bronze, size 220 x 100mm

Raised Curved Bed  
Dimensions:

Length 3000 mm  
Depth 1500 mm  
Height 750 mm

Hardwood Seat:

Semi circular curved seat, constructed using Iroko or similar Hardwood Timber



Lucie New Garden Design	
Denbies, 2 Crockers Hill, Woolavington, Somerset, TA7 8EE.	
Tel 01278 683006 / 07769 507146 Email: lucienew@btinternet.com	
CLIENT	[REDACTED]
SITE	[REDACTED]
PROJECT	[REDACTED]
DRAWING	Master Plan (Amended)
SCALE	1:50
DATE	10th May 2017
ALL DIMENSIONS MUST BE CHECKED ON SITE AND NOT SCALED FROM THIS DRAWING © LUCIE NEW 2005	